

altimo

Instruction Manual



Microwave Oven

MMW702B

Contents

1 Safety information

Important Safeguards 3

2 Installing your microwave

Installation Instructions 5

3 Getting to know your microwave

Product Overview 6

4 Using your microwave

Control Panel 7

Operating your Microwave 8

Containers and Utensils Guide 9

General Cooking Tips 10

5 Care and maintenance

Cleaning 11

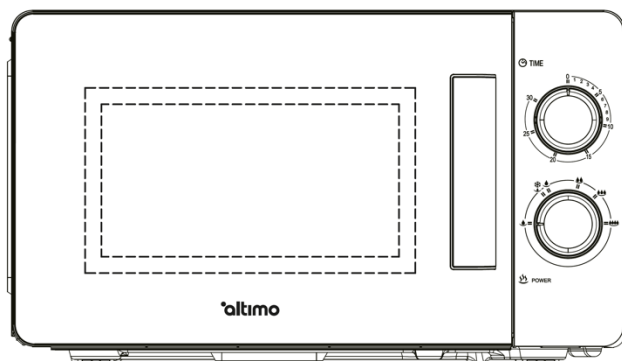
Servicing and Repairs 12

6 Product support

Help and Assistance 13

Your Appliance Guarantee 14

Disposal 15





Safety information – Domestic use only

IMPORTANT SAFETY INSTRUCTIONS READ CAREFULLY AND KEEP FOR FUTURE REFERENCE

WARNING: If the door or door seals are damaged, the oven must not be operated until repaired by a suitably trained person.

WARNING: It is hazardous for anyone other than a suitably trained person to carry out any service or repair involving the removal of any cover. Such covers give protection against exposure to microwave energy.

WARNING: Liquids or other food must not be heated in sealed containers as they are liable to explode.

1. Only use vessels that are suitable for use in microwave ovens.
2. Metallic containers must not be used during microwave cooking.
3. Exercise increased caution when heating food in plastic or paper containers, due to the possibility of ignition.
4. The microwave oven is intended for heating food and beverages only. Drying of food or clothing or heating of warming pads, slippers, sponges, damp cloth and similar may lead to risk of injury, ignition or fire.
5. If you see smoke, switch off or unplug the appliance and keep the door closed in order to stifle any flames. Microwave heating of beverages can result in delayed eruptive boiling; therefore, care has to be taken when handling all containers.
6. The contents of feeding bottles and baby food jars should be stirred or shaken, and the temperature checked carefully before consumption, in order to avoid burns.
7. Eggs in their shell including whole hard-boiled eggs should not be heated in microwave oven as they may explode, even after the microwave heating process has ended.
8. Failure to maintain the oven in a clean condition could lead to deterioration of the surfaces and adversely affect the life of the appliance with increased risk of a hazardous situation.
9. The microwave oven is intended to be used freestanding and must not be placed in a cabinet.
10. Take care when removing hot containers from the oven.
11. Do not clean this appliance with a steam cleaner.
12. To avoid the risk of burns by spillage it is highly recommended that this appliance is sited at a safe working height. For example not higher than 1300mm or lower than 500mm from floor level.
13. Allow a minimum of 200mm free space above the top surface of the unit.

Warning: Children should only use the oven under adult supervision due to the high temperatures generated.



CAUTION: HOT SURFACE



Safety information – Domestic use only

IMPORTANT SAFETY INSTRUCTIONS READ CAREFULLY AND KEEP FOR FUTURE REFERENCE

14. If the power supply cord is damaged in any way, it must be replaced by the manufacturer, an authorised service agent or an adequately qualified person in order to avoid a hazard.
15. This appliance can be used by children aged from 8 years and above and persons with reduced physical, sensory or mental capabilities if they have been given supervision or instruction concerning its use, safe working and full understanding of the hazards involved.
16. Children should not play with the appliance.
17. Cleaning and user maintenance should not be attempted by children without supervision.
18. Group 2 Class B Appliance
Group 2 ISM equipment: Group 2 contains all ISM equipment in which radio-frequency energy is intentionally generated and/or used in the form of electromagnetic radiation for the treatment of material, and EDM and arc welding equipment. Class B equipment is equipment suitable for use in domestic establishments and in establishments directly connected to a low voltage power supply network which supplies buildings used for domestic purposes.

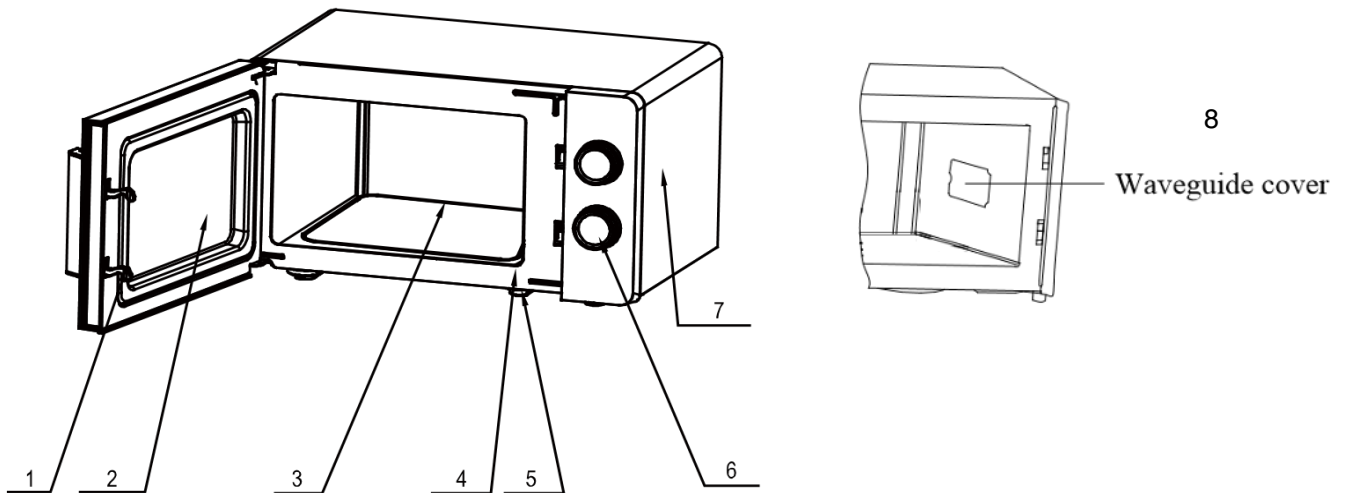
Installation

1. Remove all packaging. If there is a protective film over any part of the oven, tear it off before use. Check carefully for damage. If there is any damage do not use the microwave and immediately notify the retailer or contact support on 03300 417 490 or customerservice@altimo.co.uk
2. Microwave ovens must be placed under dry and non-corrosive environments and kept away from heat and humidity, such as a gas burner or water tank.
3. To ensure enough ventilation, the distance of the back of microwave to the wall should be at least 100mm, the side to the wall should be at least 50mm and the free distance above the top surface should be at least 200mm.
4. Microwave ovens can disturb TV, radio or antenna signals when in use, it is recommended place the unit 5m away from such equipment.
5. The appliance must be earthed and is supplied with a standard UK 3 pin plug to ensure a good grounding in case of malfunction so a ground loop can be formed to avoid electric shock. Ensure the plug is accessible in case power needs to be isolated.
6. The microwave oven must be operated with the door closed.
7. The microwave oven must not be placed in a cabinet. The microwave oven is intended to be used freestanding.
8. Odours and/or some smoke can be expected for the first couple of uses as manufacturing residue or oil that may be present near the heating element is burnt away. This is normal and will not occur after the first few uses.

It is strongly recommended that you place a cup of water in the cavity and use the microwave a few times on high power to remove the odour. Also, during this process to keep the door or window open to ensure good ventilation.

Getting to know your microwave

Product Overview



1) Door lock

The microwave oven door must be properly closed in order for it to operate.

2) Viewing window

Allows the user to see the cooking status.

3) Microcrystalline board

4) Oven cavity

5) Oven feet

6) Control panel

See operating information on page 7

7) Outer cover

Used for wrapping and protecting the internal structural parts and electrical components of the whole machine.

8) Waveguide cover

This is inside the microwave oven, next to the wall of the control panel.



WARNING

Never remove the waveguide cover.

Product Overview

Control Panel

CLOCK TIMER SETTING

Turn the TIME knob clockwise to the required setting.







The maximum time setting is 30 minutes.

The TIME knob turns anti-clockwise during cooking to show time remaining.

There is a notification noise (ding) at the end of the set time as the knob returns to the “0” position.

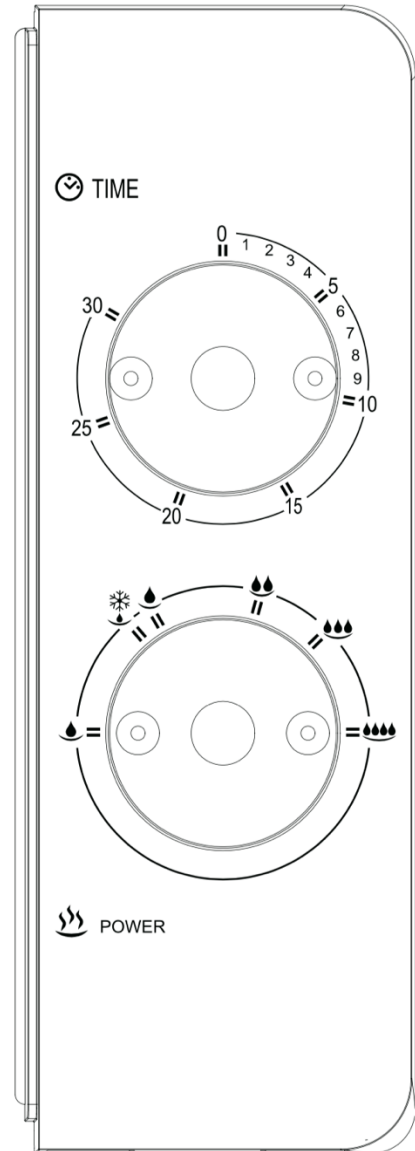
MICROWAVE FUNCTIONS

There are six power levels (clockwise round the dial):

No.	Setting	Microwave output power
1	LOW 	17% power output
2	Defrost 	37% power output
3	Medium Low 	40% power output
4	Med 	66% power output
5	Medium High 	85% power output
6	HIGH 	100% power output

Below are some food defrosting time guides:

Type.	Weight	Defrost time
Meat	0.1~1.0kg	1:30~26:00
Poultry	0.2~1.0kg	2:30~22:00
Seafood	0.1~0.9kg	1:30~14:00



Product Overview

Operating your microwave

1) Prepare the unit, connect and turn on the power

Before connecting the power cord, make sure the timer is set to the “0” position. Ensure nothing is blocking the ventilation area around the appliance.

2) Place the food on the microcrystalline board and close the door.

Food must be on a microwave-safe plate or container. This microwave has stirrer technology and doesn't need a turntable.

3) Select the desired power level.

4) Select the desired time on the timer.

If the cooking time is less than 2 minutes, turn the firepower knob to over 3 minutes and then turn back to the desired time setting.

5) Once the desired time is set, the cooking begins.

If you need to pause cooking (to check or stir) just open the door at any time and when you are ready to re-start close the door to resume operation.

6) When the timer finishes and cooking ends, the microwave oven produces a notification noise (ding) and the inside lamp will automatically turn off.

If the food is removed before timer ends turn the timer anticlockwise back to the “0” position to prevent the microwave from operating empty.

Product Overview

Containers and utensils guide

It is strongly recommended only to use containers which are suitable and safe for microwave cooking. Containers made of heat-resistant ceramic, glass or plastic are generally suitable for microwave cooking and you can check compatibility by looking out for the microwave safe logo on the base of intended vessels.

Never use metal containers for microwave cooking or combination cooking as sparks are likely to occur. Please take note of the reference table below.

Material of container	Microwave	Notes
Heat-resistant ceramic	Yes	Never use the ceramics which are decorated with a metal rim or glaze. Look for microwave safe logo.
Heat-resistant plastic	Yes	This should not be used microwave cooking for long time intervals. Look for Microwave safe logo.
Heat-resistant glass	Yes	Look for microwave safe logo.
Plastic film	Yes	This should not be used when cooking meat or chops as the oven-temperature may damage the film.
Grill rack	No	
Metal	No	
Foil	No	

Product Overview

Cooking Tips

Here are some tips when using your new microwave:

Food arrangement

Place thicker/dense areas towards the outside of the dish, the thinner/less dense parts towards the centre and spread the food out evenly. Do not overlap food if possible.

Cooking time length

Start cooking with a shorter time setting and check periodically, it is better to add a bit more time than to overcook your food. Over-cooking may even result in smoke or burning.

Cooking food evenly

Foods such as chicken, hamburgers or steaks should be turned once during cooking. Depending on the type of food, it may benefit from stirring from the outside to the centre of dish once or even twice during cooking.

Allow standing time

After cooking has finished, leave the food inside the oven for a short period. This allows cooking to complete and a calming of the cooking process.

Checking if the food is cooked

The appearance and texture of the food helps determine if it is ready, these include:

- Steam coming out from all parts of the food, not just the edges
- Joints of poultry can be moved easily
- Pork or poultry show no signs of blood
- Fish is opaque and can be sliced easily with a fork

Browning dish

When using a browning dish or self-heating container, it is best to place a heat-resistant insulator such as a porcelain plate under it to prevent damage to the turntable.

Microwave-safe cling film


When cooking food with a high fat content, do not allow the cling film to touch the food as it could melt.

Microwave-safe plastic cookware

Some microwave-safe plastic cookware might not be suitable for cooking foods with a high fat and sugar content due to the high temperatures reached. Do not exceed the preheating time specified in the instruction of the dish.

Cleaning

Microwave Oven Care

 **CAUTION** The oven should be cleaned regularly, and any food deposits removed.

WARNING

- a. Isolate or remove the plug from the socket before cleaning. Allow to cool before cleaning. Do not immerse the unit or use excessive water or other fluids when cleaning.
- b. Failure to maintain the oven in a clean condition could lead to deterioration of the surface and could adversely affect the life of the appliance, and possibly result in a hazardous situation.
- c. Never use hard detergent, gasoline, abrasive powder or a metal brush to clean any part of the appliance.
- d. Do not remove the waveguide cover.
- e. After a long period of not using the microwave one of the following three methods can help remove strange odours:
 1. Place a cup of water with lemon slices and heat on High Power for 2-3 minutes.
 2. Place a cup of red tea and heat on High Micro Power for 2-3 minutes.
 3. Place some orange peel on a plate and heat on High Power for 1 minute.
- f. Between use, keep your microwave clean and in as dry and ventilated an area as possible.

WARNING

To clean surfaces which have been in contact with food, wipe the waveguide cover with a damp cloth after use, followed by a dry cloth to remove any food splashes and grease. Built-up grease may overheat and begin to smoke with risk of catching fire.

TIPS FOR CLEANING

Details for cleaning door seals, cavity and adjacent parts:

Exterior:

Wipe the enclosure with a damp soft cloth.

Door:

Using a damp soft cloth, wipe the door and window clean.

Wipe the door seals and adjacent parts to remove any spill or spatter.

Wipe the control panel with a slightly damp soft cloth.

Interior walls:

Wipe the interior surfaces and waveguide cover clean with a damp soft cloth.

Glass oven base:

Wash with mild soap water, rinse with clean water, allow to dry thoroughly and replace.

Maintenance

Servicing and Repairs

Please check the following before calling for servicing:

1. Place one cup of water (at least 150ml) in a mug inside the oven and close the door securely. The oven lamp should go off when the door is closed properly. Turn the timer round to 1 min and let the oven work.
2. Does the oven lamp light?
3. Does the cooling fan work?
(Can you feel airflow from the rear ventilation outlet?)
4. Has the water inside the mug got hot?

If the answer is “NO” to any of the above questions, please check your wall socket and the fuse are working normally. If they are:

CONTACT ALTIMO PRODUCT SUPPORT TEAM ON 0330 041 7490.

Servicing Safeguards

TRAINED PERSONS ONLY

Caution: MICROWAVE RADIATION

1. The high voltage capacitor remains charged after disconnection; short the negative terminal of H. V capacitor to the oven chassis (use a screwdriver) to discharge before touching.
2. During servicing, the parts listed below are liable to be removed and give access to potentials above 250V to earth.
 - Magnetron
 - High voltage transformer
 - High voltage capacitor
 - High voltage diode
 - High voltage fuse
3. The following conditions may cause undue microwave exposure during servicing.
 - Improper fitting of magnetron;
 - Improper matching of door interlock, door hinge and door;
 - Improper fitting of switch support;
 - Door, door seal or enclosure has been damaged.

Product support

Help and assistance

If you require any technical guidance or find that your microwave oven is not operating as intended, please call one of our experts on **0330 041 7490**.

To help us give you a fast and efficient service, please have the following information ready:

Model reference:

Serial number:

Date of purchase:

Local call rates apply*

Lines open 9.00am – 5.00pm Monday to Friday.

*Calls to support enquiry lines may attract a charge and set up fee from residential lines depending on your call plan/tariff. Mobile and other providers costs may vary, see www.bt.com/pricing for details.

For Security and training purposes, telephone calls to and from customer service centres maybe recorded and monitored. Calls from Republic of Ireland will attract international call charges.

Your Appliance Guarantee

Guarantee Details (UK only)

Your appliance has the benefit of a comprehensive manufacturer's guarantee which covers the cost of repair due to mechanical or electrical breakdown.

Any claim during the period of the guarantee must be accompanied by proof of purchase.

The appliance must be correctly installed and operated in accordance with the manufacturer's instructions.

Your appliance is intended for normal domestic use and not for commercial operations. This guarantee does not cover cosmetic issues with the appliance or failures caused by accidental damage, misuse or alternations which are likely to affect the appliance.

The guarantee is invalid if the product is tampered with or repaired by any unauthorised person.


What to do if you need to report a problem:

1. Please ensure you have ready:
 - The product model and serial number
 - Your full contact details
2. Call the specialist Service Line for your product: **0330 041 7490**

This guarantee in no way affects your statutory or legal rights.

Any information provided to us for the purposes of product support is subject to our privacy policy, which can be viewed online at www.altimo.co.uk/privacy-policy

Disposal

Correct disposal of this product	
	<p>This marking indicates that this product should not be disposed with other household wastes throughout the EU. To prevent possible harm to the environment or human health from uncontrolled waste disposal, recycle it responsibly to promote the sustainable reuse of material resources. To return your used device, please use the return and collection systems or contact the retailer where the product was purchased. They can take this product for environmentally safe recycling.</p>



www.altimo.co.uk

For customer service call: 0330 041 7490